

NOTES:

1. THE MAXIMUM ALLOWABLE HEIGHT IS 6'-0". CHECK WITH THE BUILDING DEPARTMENT FOR OTHER HEIGHT RESTRICTIONS IN BUILDING SETBACK.
2. SOLID GROUT CELLS CONTAINING STEEL.
3. CELLS REQUIRED TO BE GROUTED ARE TO BE IN VERTICAL ALIGNMENT AND FREE FROM OBSTRUCTIONS. LAY BLOCK IN 1/2 BOND.
4. FOOTINGS TO BE DUG 12" MINIMUM INTO UNDISTURBED SOIL.
5. FOOTINGS WHERE THE SURFACE OF THE GROUND SLOPES MORE THAN 1 FOOT IN 10 FEET SHALL BE LEVEL OR SHALL BE STEPPED SO THAT BOTH TOP AND BOTTOM OF SUCH FOOTINGS ARE LEVEL.
6. REQUEST INSPECTIONS AT LEAST ONE BUSINESS DAY PRIOR TO DAY INSPECTION IS NEEDED.
7. REQUEST INSPECTION AND OBTAIN APPROVAL FOR FOOTINGS AND FOOTING STEEL PRIOR TO POURING.
8. REQUEST INSPECTION AND OBTAIN APPROVAL FOR STEEL IN WALL PRIOR TO GROUTING. OBTAIN FINAL INSPECTION AND APPROVAL.

H	B	VERTICAL REINFORCING
6'-0"	24 INCHES	1/2 INCH AT 32 INCHES ON CENTER
5'-0"	20 INCHES	1/2 INCH AT 32 INCHES ON CENTER
4'-0"	16 INCHES	3/8 INCH AT 48 INCHES ON CENTER
3'-0"	12 INCHES	3/8 INCH AT 48 INCHES ON CENTER

BUILDING & SAFETY DIVISION

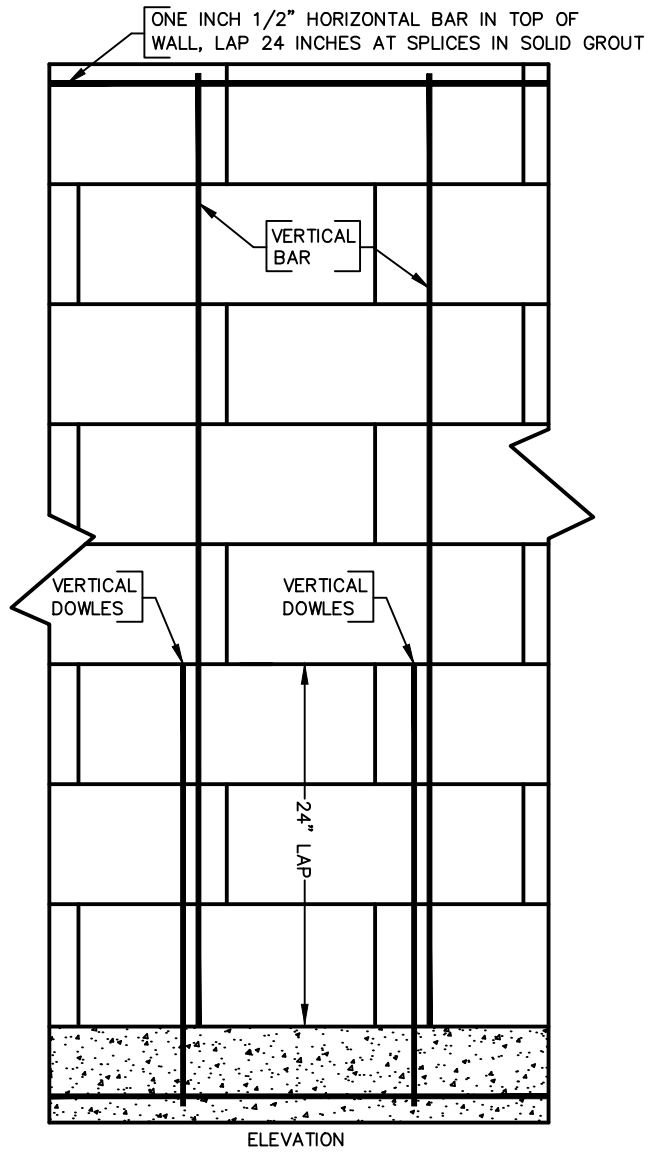
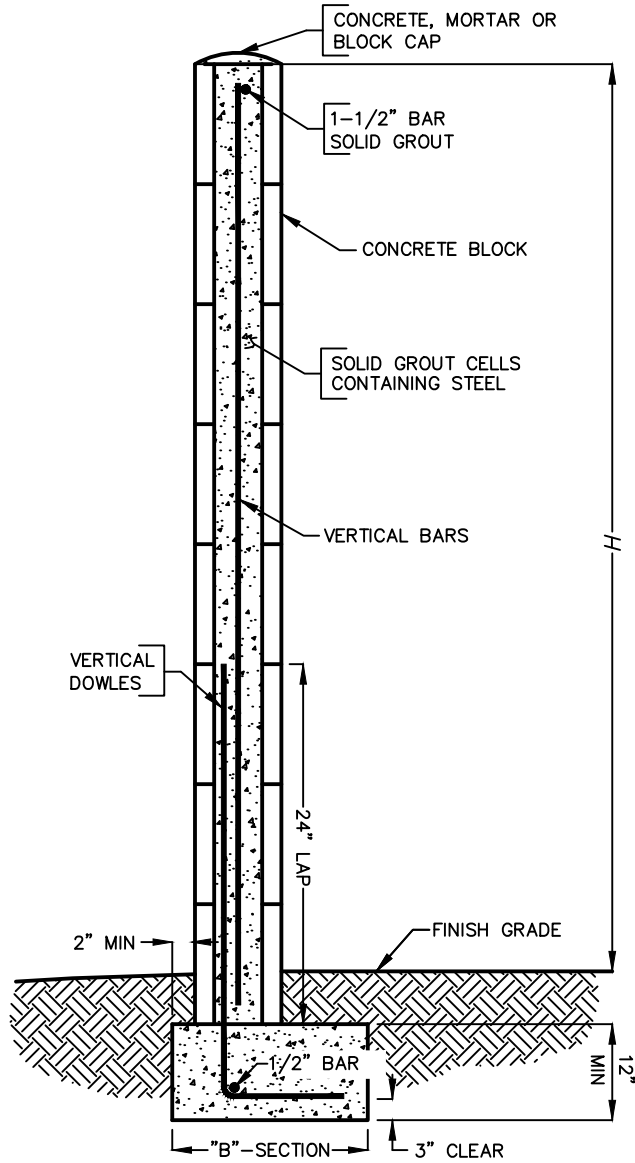
DRAWN BY: M.W.M.
APPROVED BY:
DATE: 8/20/13

CITY OF HESPERIA
GARDEN WALL (NON RETAINING)
"T" TYPE FOOTING



REV. DATE
 6/13/18 A.L.

STD. DRWG. NO.
G-1



NOTES:

1. THE MAXIMUM ALLOWABLE HEIGHT IS 6'-0". CHECK WITH THE BUILDING DEPARTMENT FOR OTHER HEIGHT RESTRICTIONS IN BUILDING SETBACK.
2. SOLID GROUT CELLS CONTAINING STEEL.
3. CELLS REQUIRED TO BE GROUTED ARE TO BE IN VERTICAL ALIGNMENT AND FREE FROM OBSTRUCTIONS. LAY BLOCK IN 1/2 BOND.
4. FOOTINGS TO BE DUG 12" MINIMUM INTO UNDISTURBED SOIL.
5. FOOTINGS WHERE THE SURFACE OF THE GROUND SLOPES MORE THAN 1 FOOT IN 10 FEET SHALL BE LEVEL OR SHALL BE STEPPED SO THAT BOTH TOP AND BOTTOM OF SUCH FOOTINGS ARE LEVEL.
6. REQUEST INSPECTIONS AT LEAST ONE BUSINESS DAY PRIOR TO DAY INSPECTION IS NEEDED.
7. REQUEST INSPECTION AND OBTAIN APPROVAL FOR FOOTINGS AND FOOTING STEEL PRIOR TO POURING.
8. REQUEST INSPECTION AND OBTAIN APPROVAL FOR STEEL IN WALL PRIOR TO GROUTING. OBTAIN FINAL INSPECTION AND APPROVAL.

H	B	VERTICAL REINFORCING
6'-0"	24 INCHES	1/2 INCH AT 32 INCHES ON CENTER
5'-0"	20 INCHES	1/2 INCH AT 32 INCHES ON CENTER
4'-0"	16 INCHES	3/8 INCH AT 48 INCHES ON CENTER
3'-0"	12 INCHES	3/8 INCH AT 48 INCHES ON CENTER

BUILDING & SAFETY
DIVISION

DRAWN BY: M.W.M.

APPROVED BY:

DATE: 8/20/13

CITY OF HESPERIA

**GARDEN WALL (NON RETAINING)
CANTILEVER TYPE FOOTING**



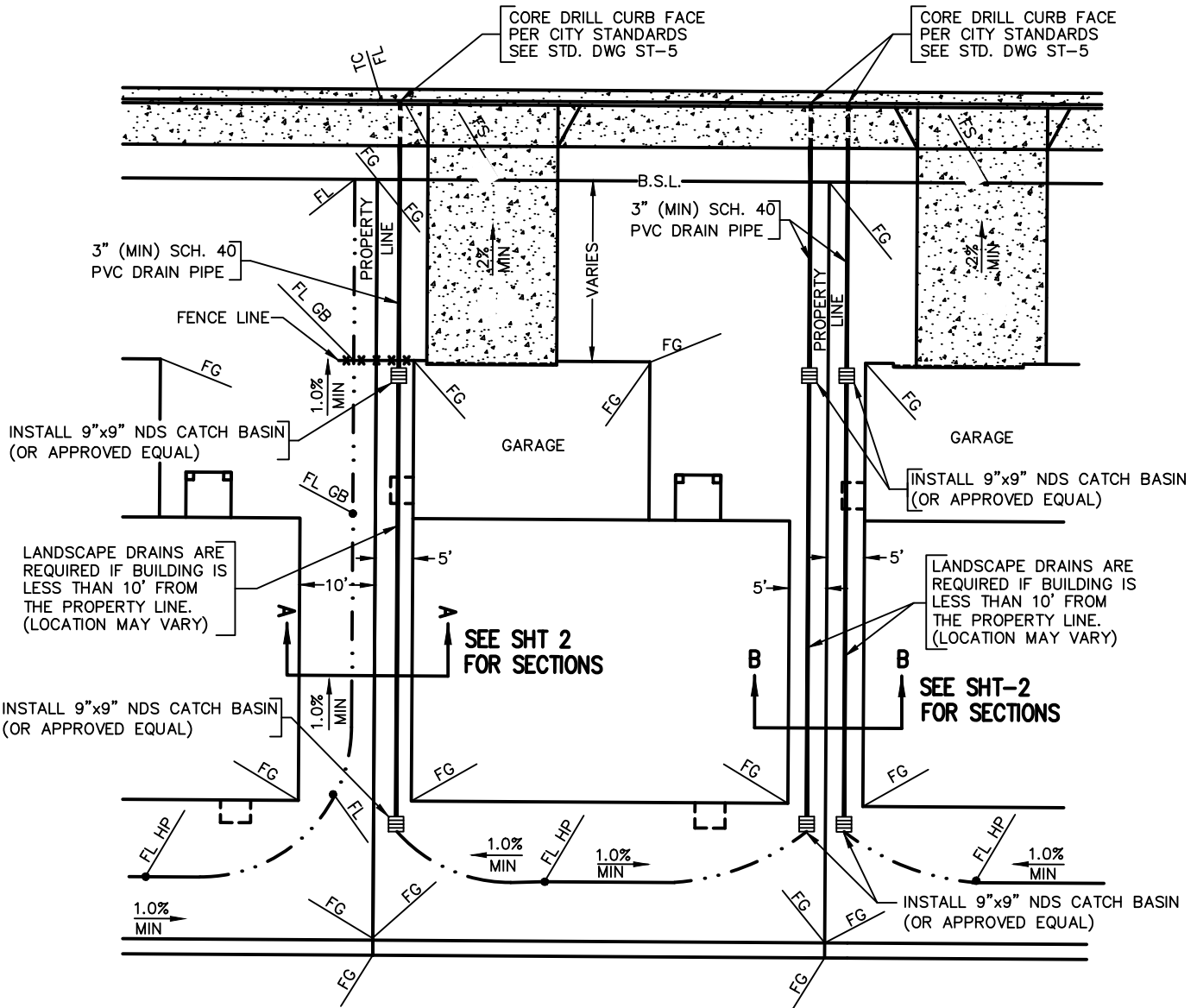
REV. DATE

6/13/18 A.L.

STD. DRWG. NO.

G-2

STREET NAME



NOTES:

1. ALL FLOW LINES ARE TO BE AT 1% MINIMUM SLOPE.
2. DRAIN PIPE IS TO BE INSTALLED AT A MINIMUM SLOPE OF .5%.
3. INLETS FOR THE PROPOSED DRAIN PIPE ARE TO BE LOCATED BETWEEN THE CURB FACE AND THE FENCE LINE. LOCATION OF ADDITIONAL ON-SITE ON-SITE INLETS WILL BE DETERMINED BY BUILDING AND SAFETY.
4. SEE STANDARD DWG NO. G-3; SHEET 2 FOR TYPICAL SIDE YARD SECTIONS
5. SEE STANDARD DWG NO. ST-5 FOR CORE DRILLING CURB FACE SECTIONS
6. EXACT LOCATION OF CATCH BASINS AND HIGH POINT OF FLOW LINES MAY VARY

DRAWN BY: M.W.M.

APPROVED BY:

DATE: 8/20/13

CITY OF HESPERIA

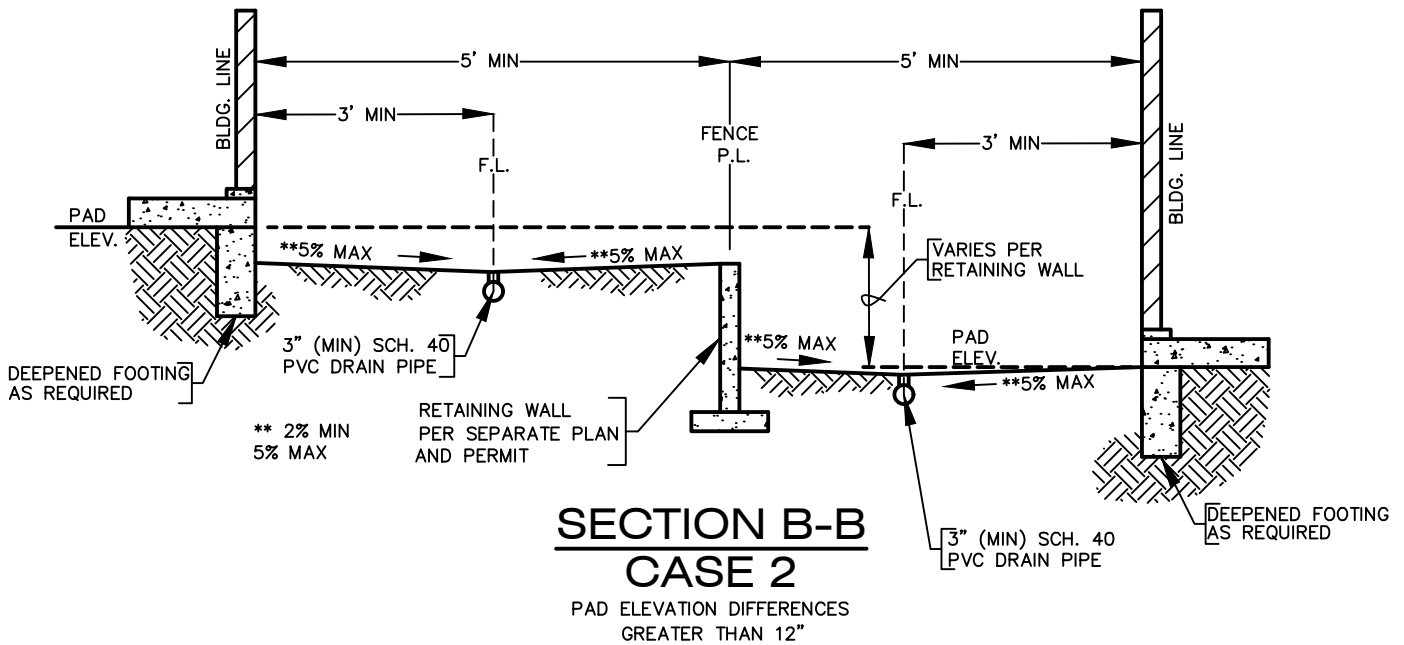
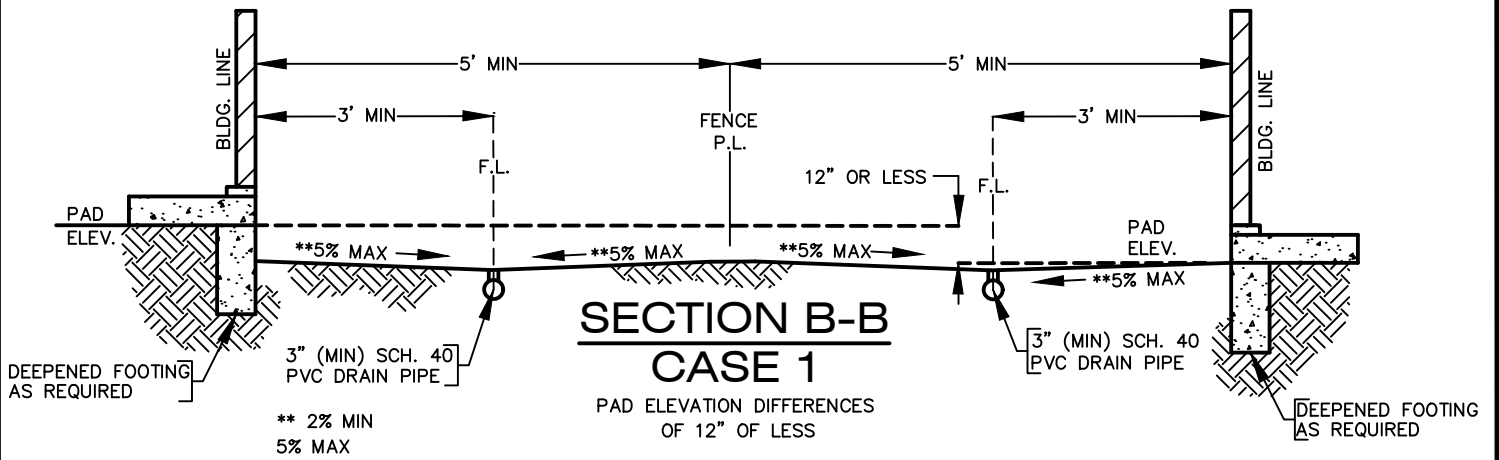
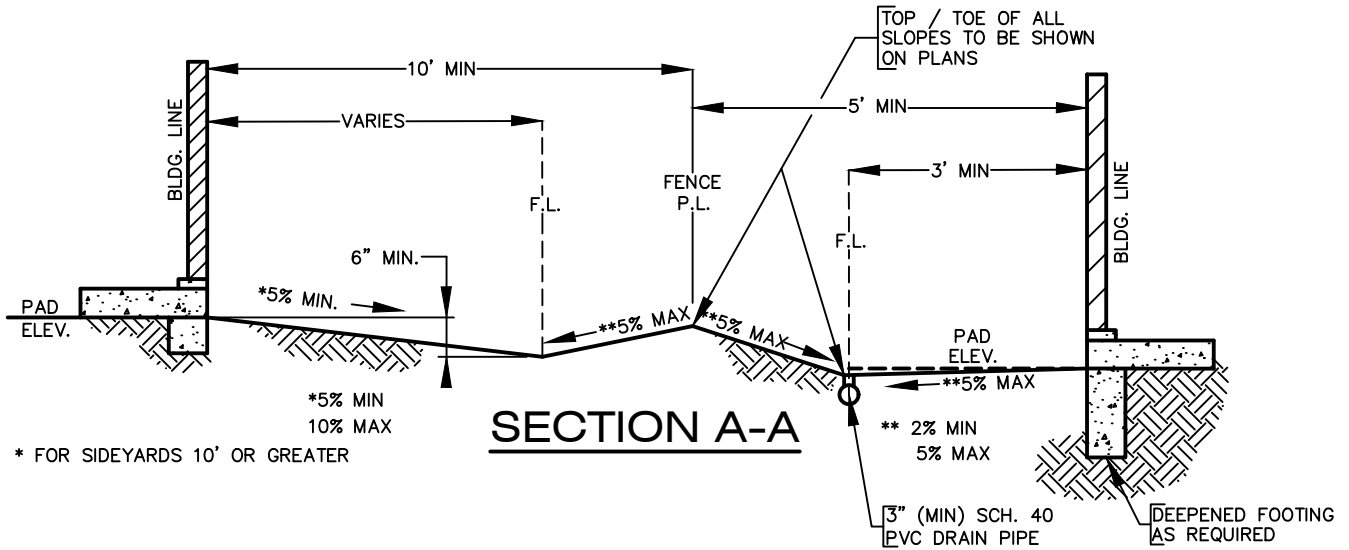
TYPICAL IN-TRACT
LOT GRADING



REV. DATE

STD. DRWG. NO.

G-3
SHEET 1



DRAWN BY: M.W.M.

APPROVED BY:

DATE: 8/20/13

CITY OF HESPERIA

TYPICAL SECTIONS FOR
IN-TRACT LOT GRADING

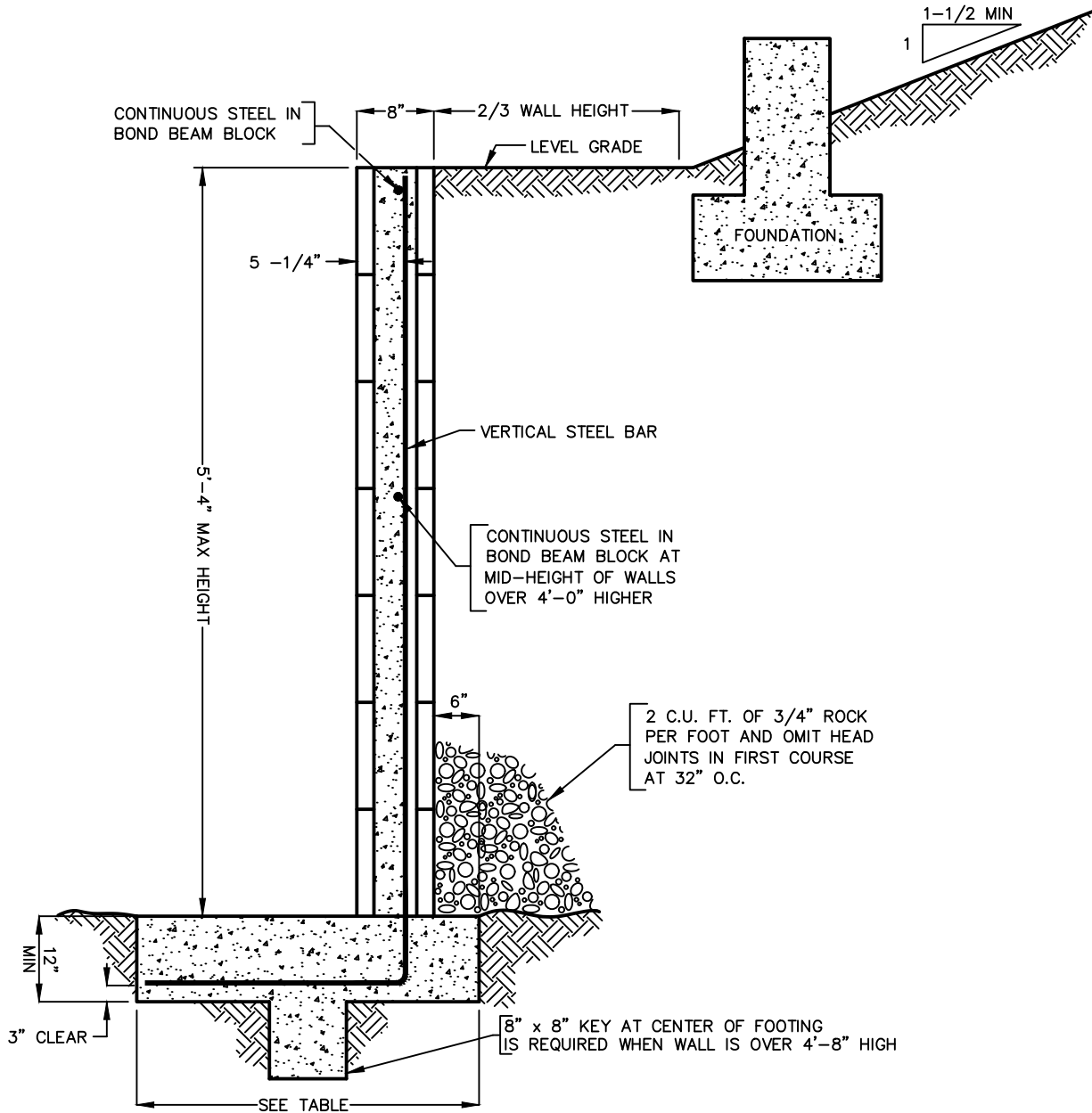


REV. DATE

6/13/18 A.L.

STD. DRWG. NO.

G-3
SHEET 2



NOTES:

1. ALL SURCHARGE LOADS ON THE FILL SIDE SHALL BE KEPT BACK FROM THE WALL A DISTANCE EQUAL TO TWO-THIRDS THE HEIGHT OF THE WALL.
2. BACKFILL MAY BE PLACED AFTER THE WALL HAS CURED FOR 14 DAYS.
3. ALL REINFORCING BARS ARE 1/2 INCH DEFORMED STEEL BARS.
4. EVERY OTHER VERTICAL REINFORCING BAR MAY BE STOPPED AT MID-HEIGHT.
5. REQUEST INSPECTION FOR FOOTING PRIOR TO POURING.
6. REQUEST INSPECTION FOR STEEL IN WALL AND OBTAIN APPROVAL PRIOR TO GROUTING

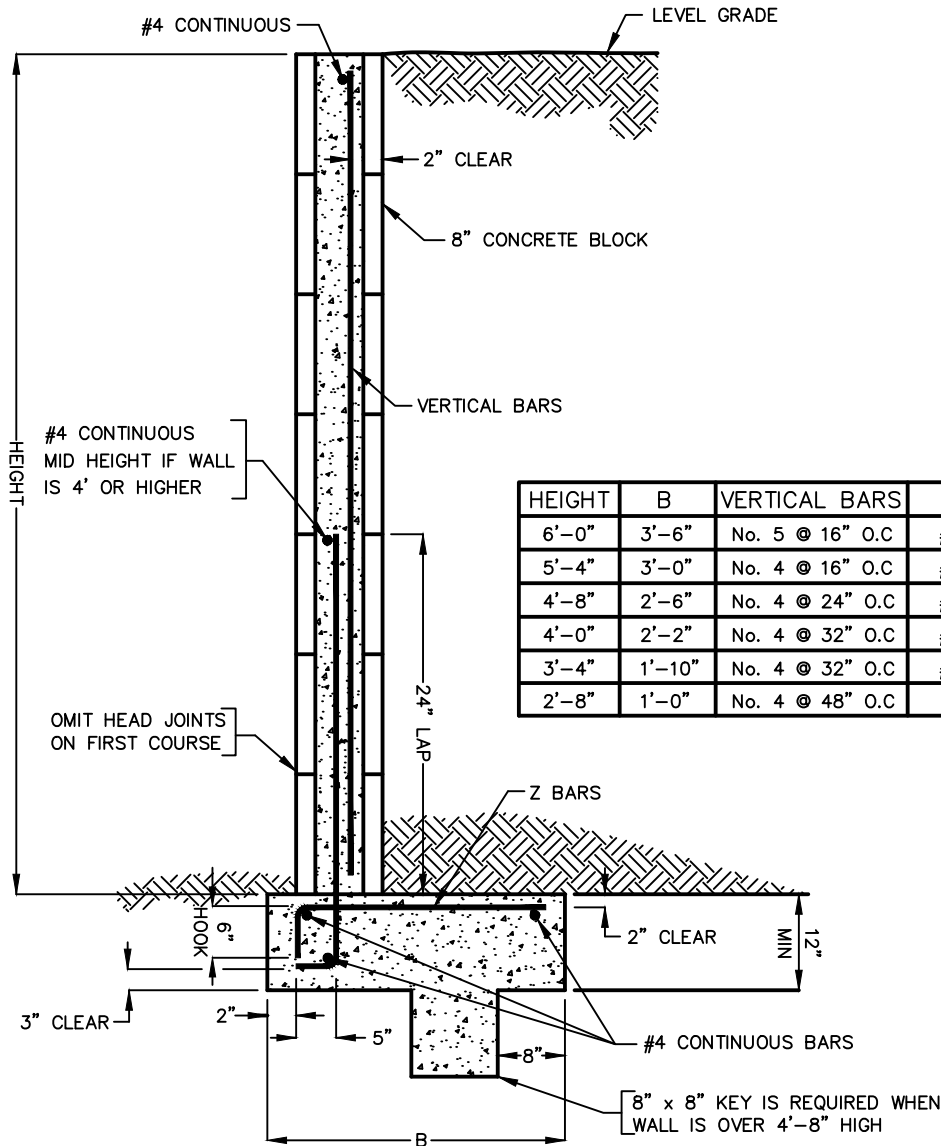
STEEL AND FOOTING TABLE		
HEIGHT	STEEL SPACING	FOOTING WIDTH
2'-8" TO 4'-0"	32" O.C.	2'-2"
4'-1" TO 4'-8"	24" O.C.	2'-6"
4'-9" TO 5'-4"	16" O.C.	3'-0"

ALTERNATIVE WALL:

1. USE 8 INCH THICK POURED CONCRETE WITH 1/2 INCH REINFORCING BARS SPACED 18" O.C. BOTH WAYS. LOCATE STEEL 3 INCHES FROM THE FILL SIDE OF THE WALL. FOOTINGS PER TABLE.

BUILDING & SAFETY DIVISION

DRAWN BY: M.W.M.	CITY OF HESPERIA		REV. DATE	STD. DRWG. NO.
APPROVED BY:	RETAINING WALL CANTILEVERED FOOTING		6/13/18 A.L.	G-4
DATE: 8/20/13				

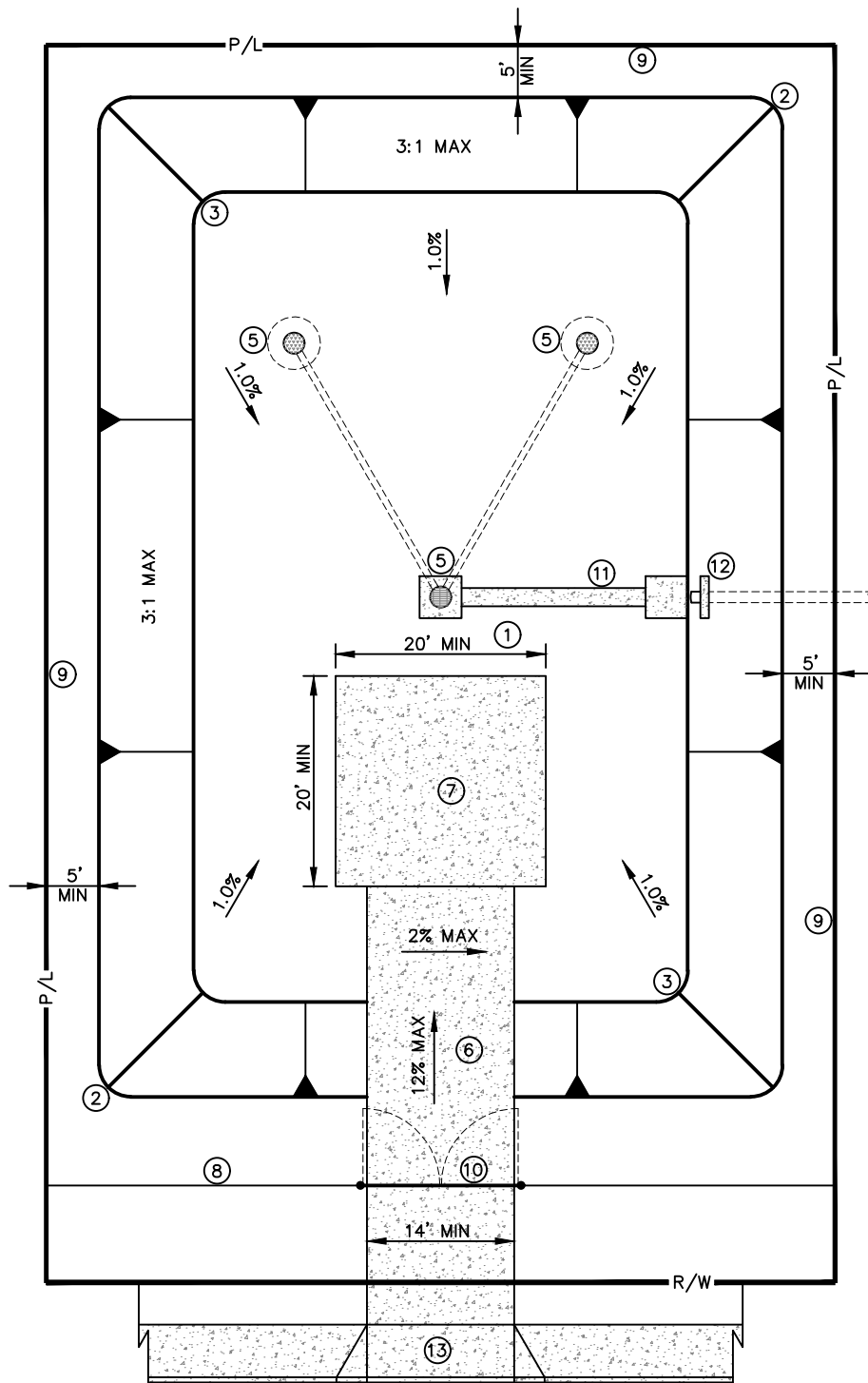


NOTES:

1. THE MAXIMUM ALLOWABLE HEIGHT IS 6'-0".
2. ALL CELLS ARE TO BE GROUTED SOILD. GROUT TO VIBRATED AND CONSOLIDATED.
3. BLOCK ARE TO BE LAID SO AS TO PROVIDE VERTICAL ALIGNMENT OF ALL CELLS. LAY BLOCK IN 1/2 BOND.
4. FOOTINGS TO BE DUG 12" MINIMUM INTO UNDISTURBED SOIL.
5. FOOTINGS WHERE THE SURFACE OF THE GROUND SLOPES MORE THAN 1 FOOT IN 10 FEET SHALL BE LEVEL OR SHALL BE STEPPED SO THAT BOTH TOP AND BOTTOM OF SUCH FOOTINGS ARE LEVEL.
6. REQUEST INSPECTION FOR FOOTING PRIOR TO POURING.
7. REQUEST INSPECTION FOR STEEL IN WALL AND OBTAIN APPROVAL PRIOR TO GROUTING
8. WALL IS NOT DESIGNED FOR SURCHARGE LOADS. KEEP ANY AND ALL LOADS, EXCEPT LEVEL GRADE, A DISTANCE AT LEAST EQUAL TO THE HEIGHT OF THE WALL, AWAY FROM THE WALL.
9. OBTAIN FINAL INSPECTION AND APPROVAL.

BUILDING & SAFETY DIVISION

DRAWN BY: M.W.M.	CITY OF HESPERIA		REV. DATE	STD. DRWG. NO.
APPROVED BY:			6/13/18 A.L.	G-5
DATE: 8/20/13				
RETAINING WALL CANTILEVER WITH FOOTING UNDER FILL				



NOTES:

- ① - "FS" ELEVATION AT BOTTOM OF BASIN
- ② - "TOP" ELEVATION AT ALL CORNERS
- ③ - "TOE" ELEVATION AT ALL BOTTOM CORNERS
- ④ - "FL" ELEVATION AT LIP OF SPILLWAY
- ⑤ - SEEPAGE PIT PER C.O.H. STD DWG SP-1
- ⑥ - VEHICULAR ACCESS RAMP (NOTE 5)
- ⑦ - PARKING APRON (NOTE 5)
- ⑧ - 2' MASONRY WALL W/ 4' WROUGHT IRON
- ⑨ - 6' MASONRY WALL
- ⑩ - 16"W X 6'H DOUBLE ACCESS GATE
- ⑪ - CONCRETE SPLASH PAD & SWALE
- ⑫ - INLET HEADWALL & PIPE
- ⑬ - 14"W RESIDENTIAL D/W APPROACH PER C.O.H. STD DWG ST-2

NOTES:

1. ALL BASINS OVER 18" DEEP ARE SUBJECT TO MAINTENANCE VEHICLE ACCESS UNLESS OTHERWISE APPROVED IN WRITING.
2. ALL BASINS SHALL BE ENGINEERED TO DRAIN WITHIN 48 HOURS OF ANY RAIN EVENT.
3. SIDE SLOPES SHALL NOT EXCEED 3:1 SLOPE AND THERE SHALL BE A 5' BENCH ALONG TOP OF ALL SIDE SLOPES.
4. PERIMETERS OF ALL BASINS MUST HAVE WALLS OR FENCES PER CITY REQUIREMENTS.
5. CONCRETE ACCESS ROAD AND PARKING APRON TO BE 6" THICK MIN W/ 6X6 WELDED WIRE MESH.
6. IRRIGATION & PLANTING PER HESPERIA REC. & PARK DISTRICT STANDARDS & SPECIFICATIONS.

DRAWN BY:	M.R.C.
APPROVED BY:	
DATE:	8/21/14

CITY OF HESPERIA

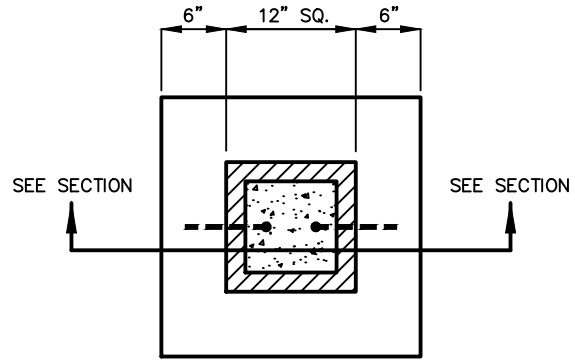
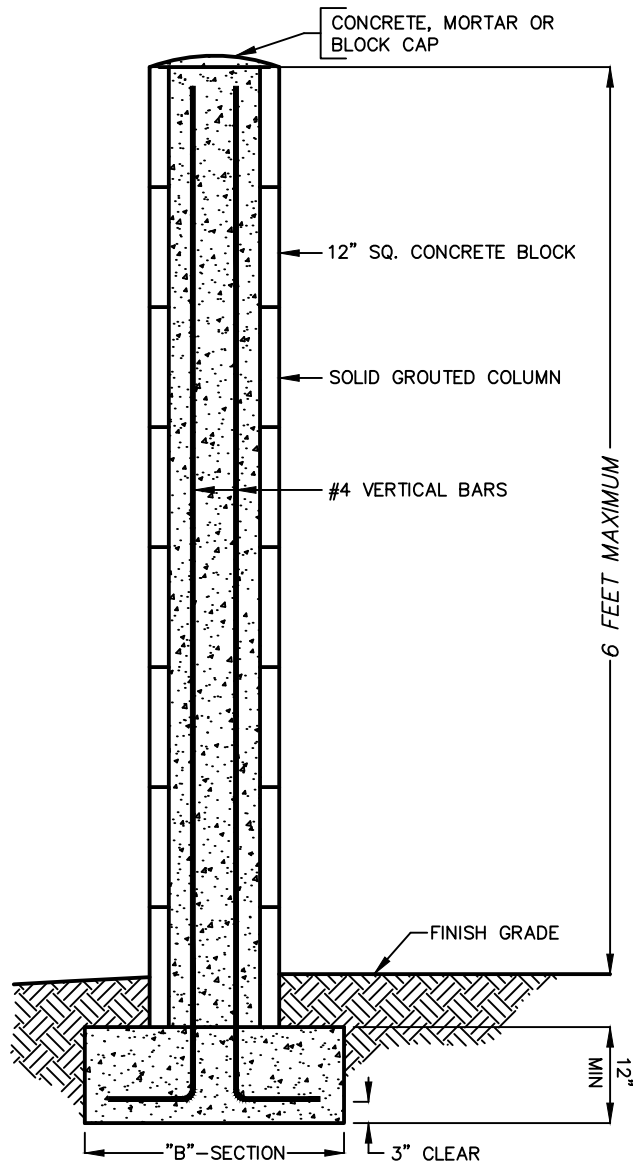
RETENTION BASIN



REV. DATE

STD. DRWG. NO.

G-6



FOOTING SIZE
EXTEND 6" FROM COLUMN ON ALL SIDE, 12" DEEP MIN.

COLUMNS FOR SUPPORT OF WROUGHT IRON FENCING TYPE ONLY.
(NOT FOR SUPPORT OF SOLID FENCING)

GENERAL NOTES:

1. THE MAXIMUM COLUMN SIZE IS 26" x 26" WHEN IN THE CLEAR SITE TRIANGLE
2. THE MAXIMUM ALLOWABLE HEIGHT IS 6'-0"
3. GROUT TO BE PUDDLED, RODDED OR VIBRATED AND CONSOLIDATED
4. FOOTING TO BE DUG 12" INTO UNDISTURBED NATURAL SOIL.
5. ALL OF THE WORK, INCLUDING FOOTINGS TO BE INSIDE PROPERTY BOUNDARIES.
6. REQUEST INSPECTION FOR FOOTINGS AND OBTAIN APPROVAL PRIOR TO POURING
7. REQUEST INSPECTION FOR COLUMNS AND OBTAIN APPROVAL PRIOR TO GROUTING
8. REQUEST FINAL INSPECTION AND OBTAIN FINAL APPROVAL
9. REQUEST INSPECTIONS AT LEAST ONE BUSINESS DAY PRIOR TO DAY INSPECTION IS NEEDED

BUILDING & SAFETY
DIVISION

DRAWN BY: A.L.	<h2 style="margin: 0;">CITY OF HESPERIA</h2>		REV. DATE	STD. DRWG. NO.
APPROVED BY:	<h3 style="margin: 0;">ESTATE FENCE COLUMN</h3>			<h1 style="font-size: 2em; margin: 0;">G-7</h1>
DATE: 6/13/18				